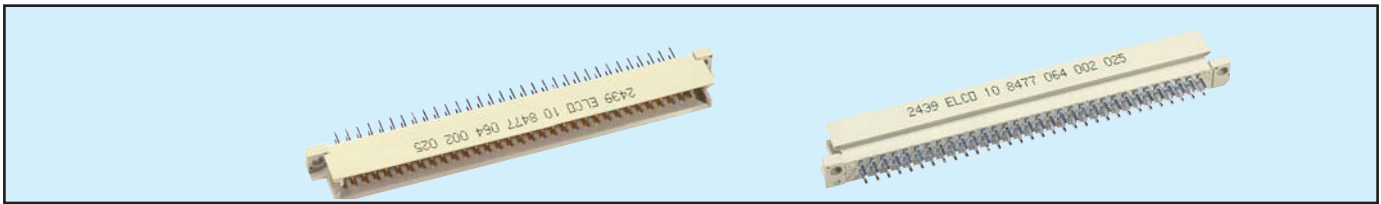


Male Style Q



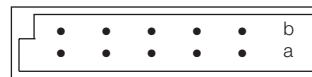
Series 8477 – 2 rows (2 x 32) Inverted



Contact Design and Termination Length	Number of Contacts	Loading Description	Part Number Performance classes according to DIN 41612	
			II	I
2.9 mm (Y) Straight	64	a + b fully loaded	10 8477 064 001 025	10 8477 064 001 049
	32	a + b even loading	10 8477 064 001 031	10 8477 064 001 055
	32	a loading only	10 8477 064 001 027	10 8477 064 001 051
	62 + 2	fully loaded + ground	10 8477 064 101 025	10 8477 064 101 049
4.5 mm (Y) Straight	64	a + b fully loaded	10 8477 064 002 025	10 8477 064 002 049
	32	a + b even loading	10 8477 064 002 031	10 8477 064 002 055
	32	a loading only	10 8477 064 002 027	10 8477 064 002 051
	62 + 2	fully loaded + ground	10 8477 064 102 025	10 8477 064 102 049
9.5 mm (Y) Straight	64	a + b fully loaded	10 8477 064 005 025	10 8477 064 005 049
	32	a + b even loading	10 8477 064 005 031	10 8477 064 005 055
	32	a loading only	10 8477 064 005 027	10 8477 064 005 051
13.0 mm (Y) Straight	64	a + b fully loaded	10 8477 064 006 025	10 8477 064 006 049
	32	a + b even loading	10 8477 064 006 031	10 8477 064 006 055
	32	a loading only	10 8477 064 006 027	10 8477 064 006 051
14.9 mm (Y) Straight	64	a + b fully loaded	10 8477 064 007 025	10 8477 064 007 049
	32	a + b even loading	10 8477 064 007 031	10 8477 064 007 055
	32	a loading only	10 8477 064 007 027	10 8477 064 007 051

NB: Alternative Prefix Variations Available: 12, 14, 15, 16 & 17, please refer to Page 10.
 Additional Plating & Loading Variations: Please contact your local AVX sales office or distributor.

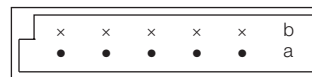
LOADING DESCRIPTION



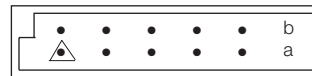
64 contacts, rows a + b fully loaded



32 contacts, rows a + b even loading



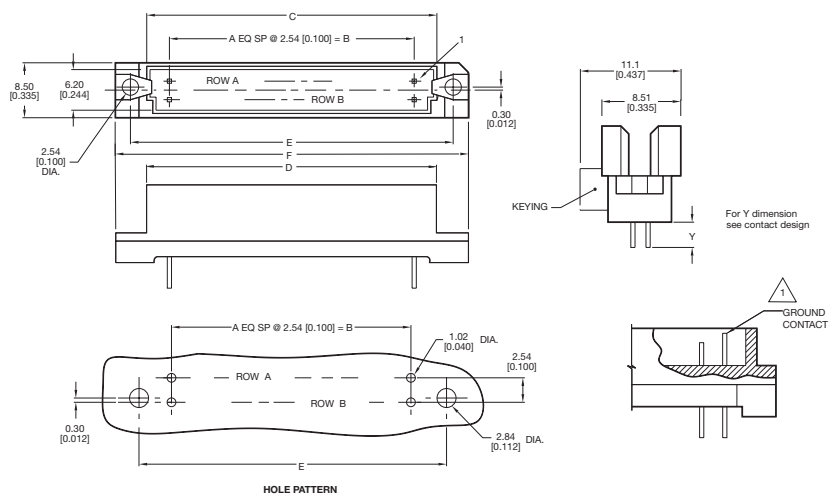
32 contacts, row a loading only



62 + 2 contacts, fully loaded with ground in A1 & A32

△ denotes ground pin

DIMENSIONS



Unit: millimeters (inches)

No. Contact Positions	Contact Rows	A	B	C	D	E	F
64	2 (2 x 32)	31	78.74 (3.100)	85.29 (3.358)	87.91 (3.461)	90.0 (3.543)	94.89 (3.736)